

# EMASTHEAD

WINTER 2022



**ROBIN MONK AND CREW CLAIM THEIR  
3RD SHIELDS NATIONAL CHAMPIONSHIP  
AT TRED AVON YACHT CLUB**





## 2021 Shields Class Officers

President

Ken Deyett - Marion, MA

Secretary

Steve Mettler - Edgartown, MA

Treasurer

Jay Dayton - Oxford MD

Measurer

Dan Goodwin - Marion, MA

Vice-Presidents

Doug Millar - Larchmont, NY

Ron Oard - Newport, RI

Tom McManus - Greenwich, CT

Ted Slee - Newport, RI

John Gronberg - Holland, MI

Lee Reichart - Mystic, CT

eMASTHEAD is the official electronic publication of the Shields Class Sailing Association. Opinions expressed do not necessarily reflect views of the Shields Class Sailing Association. Acceptance of advertising does not imply endorsement or approval of the product or service advertised.

Also see the class website [www.shieldsclass.com](http://www.shieldsclass.com)

Cover Photo: #110 Liberty, #33 Maverick and #23 Rascal Photo Credit: Richard Bodorff

Above: Ava Morton and Kaley Woods Racing on #237 in Buzzard's Bay

Class Webmaster - Richard Robbins Masthead Editor - Eric Anderson

# President's Thoughts...



## SHIELDS STRONG!

Most of us have heard the stories, and some may have forgotten. Corny Shields dreamed about a 30-foot yacht that would be made of a new material- fiberglass. He wanted a cutting edge one-design yacht that was so beautiful and strong that it would float when full of water. He went to the best boat designers of the time, Sparkman and Stephens to help his dream come true. Another man wanted to get ship-building out of the stone age and into the future. That man was Les Goodwin.

Together, Corny, Olin and Les built a boat the world had never seen before. The inspiration and motivation of Corny Shields, the design expertise of Olin Stephens and the boat-building experience of Les Goodwin blended perfectly together. In the fall of 1962, the Shields boat was born. This team knew they had created a strong boat that would go where no other boat had gone before.

A boat made over 60 years ago in November is still going strong. Throughout the years a few boats have endured mishaps. We've all been there. You may have crashed and

burned on the starting line or perhaps even sunk a boat in your day. These times may seem hopeless, but a Shields does not get defeated so easily. It is a Shields. It can be rebuilt and better than it was before. No boat has the strength and resiliency to sail again like a Shields. The strength of a Shields is one of its strengths.

In 1963, the Paul Shields Foundation played a pivotal role in the formation of the Shields National Class. Today we have the Shields Class Foundation to strengthen our Shields Class, ensuring it will grow into a thriving community. The strength of this foundation brought a record number of under thirty sailors to the Nationals, and sparked interest in potential new Shields fleets in every corner of the United States. The Foundation will communicate a strong message for the future of Shields one-design racing. [Below: Under 30 sailors at 2021 Nationals](#)

We all know how much Corny generously gave to the Shields Class, but there was another strong figure. This was William Manice, Jr, the Commodore of the Ida Lewis Yacht Club. Both men knew that the Shields would become strong as a low maintenance one-design racer. To this day, Newport is our strongest and largest fleet.

The class is lucky to have a tradition of strong leadership throughout our fleets. Our Fleet Captain Committee developed an operating plan with best practices and growth strategies. This document is included within this issue of the eMasthead. I look forward to working with our fleet captains in the next year through Zoom and at Regattas to reach our common goals.





---

## President's Message (continued)

The Shields Class Communication Team is another of our strengths. Our web page is continually updated with the latest information. Our eMasthead is published 4 times a year with news stories and items of interest for our members. This team is dedicated to making our class stronger and more united.

We are grateful for the strength and resilience of Pete Bailey and his organizing team. His team in Oxford, Maryland hosted one of the most challenging Nationals in recent years. The 2021 Nationals went off without a hitch. Team Diversion #160 showed us how to sail in 6 light air races. Nice Job to Robin Monk and his team in winning the 2021 Shields Nationals.

Garth Hobson has retired as Class Measurer. He and his team worked countless hours to make the Shields stronger than ever. It was nice to have a measuring team work together for the last two years. On behalf of the class, we appreciate the hard work and efforts given to the class. It was his strong leadership that connected us. Dan Goodwin has taken the helm to lead us for the next term as Class Measurer.

The Governing Board and the Executive Committee work hard every month to strengthen our class. The Executive Board is working hard to improve our administrative processes. In 2022, the class will adopt a procedure to ensure an accurate roster and timely dues collection. This group will also continue researching and actively communicating with yacht clubs to start new fleets. The Governing Board will continue to approve new events and specifications for the class.

The Shields took its first float with the dream and persistence of Corny Shields and the team he built around him. We have continued to benefit from strong leadership over the past 60 years. The present leadership team is working hard to follow our forefathers model. I personally look forward to 2022 with more of the next generation racing Shields with more fleets across the world.

On behalf of the class, I would like to thank the sponsors of our National Regatta. Without their generous support, this event would not have been possible.

Sail Shields in 2022.

Ken Deyett  
Your Shields Class President





Top: After the Start

Photo Credit: Richard Bodorff

Bottom: Rainbow in the Harbor

Photo Credit: Alan Silk



## Robin Monk and Crew Aboard Team Diversion #160 Prevail at 55th Shields Nationals



by John Burnham

Twenty boats representing 9 fleets from California to Massachusetts raced the Shields Class National Championship Sept 23-25 out of Tred Avon Yacht Club in Oxford, Md. Despite a postponement during an ugly frontal passage on the first morning and generally light-air Chesapeake Bay days to follow, six good races were run. Separated by only five points at the regatta's end were two boats from Ida Lewis Yacht Club (Fleet 9) and two from Beverly Yacht Club (Fleet 10), with Monk's 160 in front.

After the first two days and five races, Diversion, #160, owned and skippered by Robin Monk of Ida Lewis, held a narrow lead ahead of Larchmont Yacht Club's Rascal, #23, owned by Kurt Weisenfluh and Com Crocker. But in light and finicky conditions on the regatta's last day, Team Diversion weathered a postponement and a super shifty final race to outsail Rascal, cross the line in 5th, and win the series with a scoreline in which they never won a race yet counted only top-five finishes. Monk, a life-long Ida Lewis Shields sailor and now a three-time Nationals winner, was supported by an excellent crew of Peter Stalkus, Paul Foley, Jeff Hayden, and Sam Howell.

Closing fast by winning the final race, Ted Slee's Team Maverick, #33, ended up two points behind Diversion in second. Slee's team included Kim Hapgood, Jon Howland, and Betsy Alison on the helm.

Beverly YC's Bill Berry (Syrinx, 239) finished third with Dan Berry, Mark Adams, Andrew Kingston, and John Kingston aboard.

Fourth was Ken Deyett (Bit-O'-Honey, 237) also of Beverly YC, sailing with Curtis Johnson, Josh Johnson, Ali Deyett, and Nadine Cunningham.

Fifth place was Weisenfluh/Crocker's Team Rascal, with Maura Weisenfluh, Matt Tym and Chris Foley.



### Photos

Above: The Champions

Photo Credit: Jay Dayton

Far Left: Class Awards Display

Photo Credit: Richard Bodorff

Center Panel: At The Offset Mark

Photo Credit: Richard Bodorff





Other awards were distributed as follows:

The Gordon L. Benjamin Memorial Newcomer Award, named for the 1976 national champion, is awarded to the top finishing skipper sailing in his or her first Nationals. This year it was won by R.J. Cooper of Tred Avon YC.

The Take-A-Bow Trophy, the class's largest and most celebrated trophy, was won by Richard Robbins, White Rabbit of Fleet 10, for distinctive hijinks around the hoist and in the parking lot. Robbins also won the Cornelius Shields Memorial Prize for the greatest improvement in his standings from the previous Nationals.

The Junior and Senior Skipper Awards were also won by Fleet 10—Ethan Robbins and Bill Berry, respectively.

The Kap-Dun Trophy for the top performing fleet was won by Fleet 9 of Newport, based on the scores of Robin Monk (Diversions), Ted Slee/Betsy Alison (Maverick) and John Burnham/Reed Baer (Grace), which finished ninth.



**Photos**

Upper Left: R.J. Cooper Newcomer Award

Photo Credit: Jay Dayton

Upper Right: Rich Robbins Takes a Bow

Photo Credit: Alan Silk

Right: Trailered Shields at Sunset

Photo Credit: Alan Silk

# Final Regatta Standings

Pl	Sail	Skipper	From	T	1	2	3	4	5	6
1	160	Robin Monk	Ida Lewis YC	19	2	4	(7)	3	5	5
2	33	Ted Slee	Ida Lewis YC	21	3	6	9	2	(12)	1
3	239	Bill Berry	Beverly YC	23	(9)	3	4	6	7	3
4	237	Kenneth Deyett	Beverly YC	24	(17)	2	1	13	6	2
5	23	Kurt Weisenfluh	Larchmont YC, New York YC	29	11	1	5	4	8	(12)
6	96	Dino Pick	Monterey Peninsula YC	37	8	16	3	(17)	3	7
7	238	Richard Robbins	Beverly YC	39	(20)	11	6	5	9	8
8	149	R. J. Cooper	TAYC	40	5	8	13	10	(16)	4
9	107	John Burnham	Ida Lewis YC	41	12	(14)	2	12	2	13
10	110	Harry Seemans	TAYC	45	15	5	10	1	14	(17)
11	98	Ed Cassidy	TAYC	47	13	10	(15)	11	4	9
12	180	Mike Racicich	TAYC	47	(16)	9	8	7	13	10
13	35	Andrew Devlin	TAYC	52	7	7	(19)	8	11	19
14	73	Jay Dayton	TAYC	58	6	17	11	9	15	(18)
15	245	Pete Siegl	Newport YC	60	(18)	12	18	14	10	6
16	205	Jonathan Krumeich	Indian Harbor YC	61	14	18	12	(19)	1	16
17	71	John Shannahan	TAYC	62	1	(20)	16	15	19	11
18	175	Lt. Mitchell Kempisty	Naval Post Graduate School Foundation YC	68	4	15	17	(20)	18	14
19	191	Dante Fiala	Monterey Peninsula YC	70	10	13	14	18	(20)	15
20	114	Alan Burnett	Mason's Island YC	91	19	19	20	16	17	(21\DNC)



Above: Larry Gamble and Dino Pick with Crew of #96 October  
Photo Credit: Richard Bodorff



## 2021 Shields National Championship Regatta an Overwhelming Success!

For those who couldn't make it, Fleet 21 just wants you to know that you missed a really great regatta. We know that a lot more of you really wanted to attend, that there were a lot of valiant team efforts that just fell short in the heat of the home stretch, for a lot of valid reasons. We really appreciate all the individual effort, and want all those who couldn't make it to the starting line to know that you were sincerely missed. [Below: Party on the Beach](#) [Photo Credit: Richard Bodorff](#)

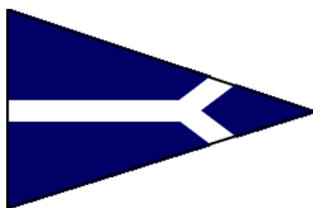
It took two years of hard work and perseverance by a lot of dedicated people, but the end result couldn't have been more rewarding. As we said at the awards banquet, with all the crazy things and personal stories that filled the last two years, the gang of 20 that showed up in Oxford on September 22nd represented the heartiest of the hearty, and really did make history. Twenty Shields at the Nationals certainly doesn't break any records, but when you consider the hundreds and hundreds of manhours, over a period of two years, and one setback after another, brought on by that horrible "thing", the 2021 Shields Nationals was a great success story.



If I may add a personal note, on behalf of everyone who made this regatta historic, I was one happy man on the closing night of the regatta. I was mentally and physically drained, but I stayed until the final bell. I was so overwhelmed by the enthusiasm of the visiting teams, the heartfelt appreciation, the stories and reminiscing, the wonderful compliments, and the incredible spirit that radiated through our impressive group of sailors. I would say that Newport is going to get a nice boost from the spirit of 2021 to help them continue the resurgence of the legendary Shields Class as they host next year's Nationals.

Heartiest congratulations to Team Robin Monk on their championship, to Class President Ken Deyett for all his hard work and support, to Fleet 21, the Tred Avon Yacht Club and all their hard-working volunteers and staff, to the entire Shields Class, and to every single individual that helped make the 2021 Shields Nationals truly special.

Thanks everyone,  
Pete Bailey  
2021 Shields Nationals Chairman



## Girls Just Wanna Have Fun by Luiza Burr



Hull 223, Aileen joined Fleet 10 just over 2 years ago from Edgartown. She is a boat full of memories, history, and most recently – women. Aileen was named after Corny Shield's daughter (Aileen Shields Bryan). A highly skilled yachtswoman, Aileen grew up sailing at Larchmont Yacht Club and later won not only championships in the Atlantic and 210 classes, but also Adams Cup (Women's National Sailing Championship) in 1948. She later married Alexander Bryan, the co-designer and builder of the Sailfish.

Fun Fact – After taking the Sailfish out while pregnant, she suggested the enhancement of a cockpit which led to the introduction of the Sunfish that we all know and love. Thirteen years later, her father introduced the Shields design. [Left: Clare Evans](#)



My co-owner (Clare Dooley Evans) and I, are now trying to live up to our namesake's reputation by promoting women in Shields in various avenues. Thursday Twilight fleet racing includes Clare at the helm, her husband Thomas on Main, while my husband Tucker and I manage the Jib and Foredeck – that's right, two married couples racing aboard – what could go wrong? [Left: Thisbe McMichael and Liza Evans both Age 8](#)

Additionally, The Evans' daughters Liza (age 8) and Cate (age 6), have joined us for racing on several occasions. This not only brings additional ladies aboard, but also ensures the next generation is getting excited about Shields. On Saturdays, I've been piloting an all-ladies crew. Our first Saturday was an exciting one – a forecast of 8-9 kts and steady rain escalated to 18-20 with gusts of 24, pouring rain and even some lightning! It was a group of 5 – none who had sailed together, and only 3 with Shields experience – who went out. We were heeled and wet, but we had a blast. There was a lot of communication, shared knowledge, teamwork and a lot of cheering (especially after we crossed the finish line). Our second Saturday included Joan Tiffany at the helm, fresh after winning Bullseye Nationals in Rockport, MA. It was a different group of women, again, none who had sailed together, but we all had some Shields experience from various boats. 4 of us met for what we thought was going to be a beautiful sunny 8-10 kt day. After some practice, the wind picked up to an exciting 18-20 which was challenging given our total weight. Despite the conditions and a few surprise boat-malfunc-tions – the same pattern emerged: tremendous communication and teamwork all with a sense of order and calm. We stepped in to tail and grind or take over a job if it was closer, we all discussed wind and potential tactics, and when things broke, we immediately focused on safety and a plan vs.



scrambling. Our conversation on the way back to the mooring was about how/what we could improve for next time. I'm positive there are other teams that have mastered this, but to have 2 random groups of women reach this groove within a few hours of racing was amazing. Maybe it was simply Joan's Patience (ha) or Aileen-juju – but we're looking forward to more all-women Saturdays with a goal of putting a Nationals team together in the future. [Far Left: Nadine Cunningham, Brooke Assad, Charlyn Feeney and Luiza Burr pre-race](#)  
[Middle Panel: The crew post-race](#)



# Dear Wendy,



Dear Wendy:

I have two Shields but am wondering about the configuration for the boom on my Cape Cod built Shields as it floats! On my Chris Craft built Shields, the boom is fixed to the mast. Is this meant to allow sail tuning? It's almost like the boom height acts like a Cunningham? But the boat already has a Cunningham? Perhaps I should attach something to the mast at the prescribed height? Is that piece available?

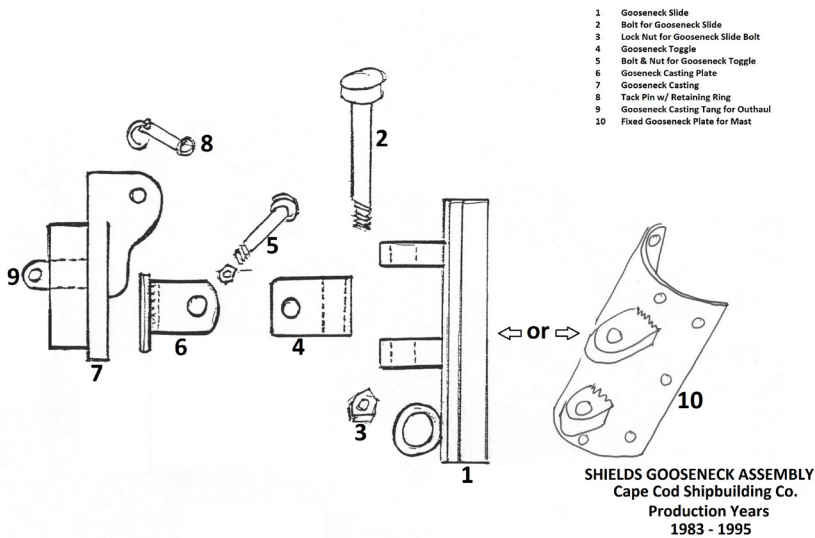
Sincerely,

Peter Perplexed

---

Dear Peter:

The Shields gooseneck arrangements have evolved over time. See attached sketches & photos. The current boom has a fixed plate to the mast & yes, this part is available. There have also been articulating tack pins & the gooseneck slide which is what I suspect you are describing.



You are correct, the gooseneck slide acts like a downhaul. It's one of the reasons we all have 4 cleats on the coaming/halyard cleat console. Once you upgrade to a fixed plate, one of those cam cleats on the console becomes obsolete. A prior owner of your Chris Craft Shields must have upgraded to the fixed plate at one time. If you don't have an articulating tack pin, you can upgrade to a fixed gooseneck plate any time. If you have an articulating tack pin, when the time comes to replace your boom you can upgrade to the fixed gooseneck plate for the mast. I imagine with your sail number, she would have come standard with a

fixed gooseneck, or if not, perhaps the original purchaser opted out of the upgrade at that time. Note that determining the fixed gooseneck plate height on the mast is critical. You need make sure the mast is rigged & tuned before measuring from the deck up & drill/tap to install. See your class rules for measurement details.

The challenge with the Shields is that as the boats are aging, the deck flexibility varies greatly. As the fixed gooseneck height is measured from the deck, it makes things way more complicated. They really didn't expect for the boats to last this long.

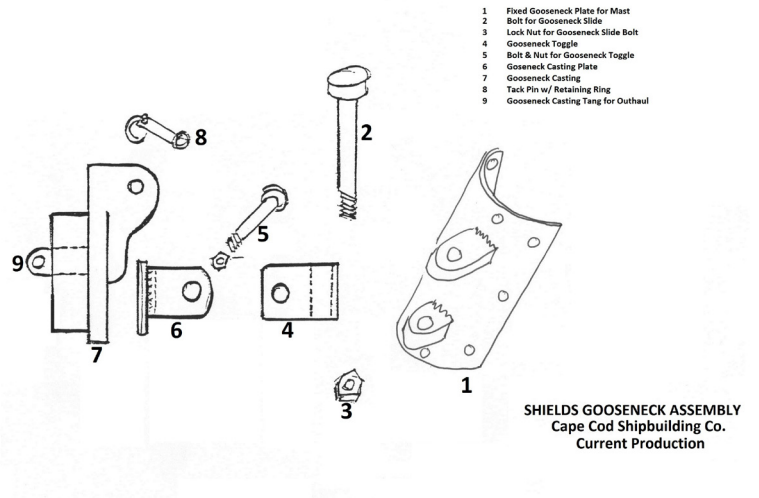
Continued from previous

The evolution of the gooseneck design components mainly occurred as desire from owners, spar builders & boatyards/riggers to safely keep the boats going on the race course without lots of maintenance. The weld on the slide can eventually come apart so the fixed plate was a way to beef things up. Thanks for the question.

Shown below are:  
Articulating Tack Pin (left)  
Gooseneck Current Design/Components (right)

Sincerely,

Wendy Goodwin  
President  
Cape Cod Shipbuilding Co.  
[www.capecodshipbuilding.com](http://www.capecodshipbuilding.com)





---

# Shields Fleet Captains Guidelines 1.0

## How to be an Effective Shields Fleet Captain

Introduction: What follows is the first edition of a guide for Shields fleet captains created in the fall of 2021 over the course of two meetings of current fleet captains in October and November. During our meetings, we discovered that given the variety in size, strength and context of our fleets, there was no simple guidance to fit all of us. We decided to create an outline that would remind any fleet captain of the basic responsibilities that come with the job in three categories, include a few notes that might spark ideas, and add a few links to references.

We had a good time together talking about how to do our jobs, and we learned from each other. We hereby encourage the class officers to mandate meetings of fleet captains a couple times a year going forward to improve these guidelines and help each other sort out the next season's problems.

If you're reading this as a fleet captain and nobody's invited you to such a meeting, contact the class officers, ask for a list of the other fleet captains, and get in touch. You'll find ready support, and your fleet and the Shields Class will benefit as a result.

Special thanks to Luiza Smith, Fleet 10, for her partnership in this document

Smooth sailing to all,  
John Burnham, Shields Fleet 9

1. Grow the Fleet
  - a. Maintain/develop fleet organization
    - i. Membership & Dues Collection
      1. Method of collecting/tracking dues
      2. Method of collecting data
    - ii. Officers/executive group - appoint nominating comm. annually
    - iii. Appoint chairs (measurer, scorekeeper, social, sail purchase, etc.)
    - iv. Annual Fleet Meeting
      1. Elect officers (president/secretary/treasurer (set term limits?))
      2. Race Calendar
      3. Changes to fleet rules/by-laws
  - b. Communicate: plan & execute
    - i. Email
    - ii. Social media
    - iii. Telephone ("pair newer/senior members")
    - iv. Group text
  - c. Engagement strategies
    - i. Clinics
      1. Webinars/Talks/Discussions
      2. In-person clinics on/off the water
    - ii. Youth Programs
      1. Shields Foundation sponsorship
    - iii. Pairing / Mentoring
      1. Grouping experienced/less-experienced teams
    - iv. Parties
      1. Awards Event
      2. Start of Season
      3. Crew Kegger

Continued from previous page

2. Work with Organizing Authorities & Yacht Clubs
  - a. Club/Race Organizing Authority
    - i. Who is the organizing authority?
    - ii. Notice of Race; Establish annual race schedule
    - iii. Are there any racing fees?
    - iv. Club or YRA membership requirements?
  - b. Race Committee
    - i. Sailing Instructions
    - ii. Protest committee procedure
    - iii. Scoring
    - iv. Volunteers/Duty Assignments
    - v. Race-day communications protocol
  - c. Other (e.g. public-access programs, boatyards, other organizations)
  
3. Class Association Responsibilities (delegate!)
  - a. Liaison between local fleet and Shields Class Association
    - i. Fleet Captain (Exec. comm.)
    - ii. Fleet Measurer (Tech. comm.)
    - iii. Fleet Secretary (Class sec.)
    - iv. Fleet Treasurer (Class treasurer)
  - b. e-Masthead reports & articles
  - c. Circulate class news/proposals to fleet
  - d. Updated and accurate Fleet Roster
    - i. Shields 'facebook' directory (members opt-in to share email, number etc.)
    - ii. Update class on boats that have not raced in two years, ex: Location, Change of Ownership, etc
  - e. Class dues paid on time
    - i. Online protocol under development by class
  - f. 10 race rule - Certify Skippers, Helms Person, Sails and Pro's for Nationals
  - g. Measurement
    - i. Sail
    - ii. Boat
  - h. Ensure class rules are abided
    - i. Attend Shields Class Association Meetings
    - j. Recruit for Class Events
      - i. Nationals
      - ii. Have your top boat attend the OGLC (have a fleet qualifier)
  - k. Connect new fleet captains with class by Jan 1
  - l. Update the governing board of new elected positions
  - m. Promote the class; promote the boat as one design



## COUNTDOWN TO 2022 NATIONALS!

by Ted Slee

Fleet 9 and Ida Lewis Yacht Club are excited to be welcoming our fellow Shields teams to Newport, September 7-10, 2022 for the Shields Class National Championship Regatta. With nine out-of-town teams already paid and registered during the "Pre-Registration" period last September, we're confident we'll have a strong fleet on the line next fall. We encourage you to register early if you know you'll be attending because it will help you get organized and it will help us prepare, too. <https://yachtscoring.com/emenu.cfm?eid=14824>



# 2022 Shields Nationals

Newport, Rhode Island

For those looking to race in Newport earlier in the summer, please join us for the NYYC Annual Regatta, June 10-12, or come a week early for the Classic Yacht Regatta September 3-4. Contact Ted Slee ([tedslee@mail.com](mailto:tedslee@mail.com)) Nationals Co-Chair, John Horton ([jghorton2@gmail.com](mailto:jghorton2@gmail.com)) Nationals Co-Chair or John Burnham ([johnsburnham@gmail.com](mailto:johnsburnham@gmail.com)) Fleet Captain with any questions.

## Fleet News

### Fleet 3 - Chicago Yacht Club Submitted by: Michael Schwartz

A hearty 'Welcome to Fleet Three' to Jon McClean and Skip Dieball who have purchased Shields 249 Robin, and are now redoing her from stem to stern. Skip was formerly with Doyle Sails and among other accolades, was nominated for Rolex Yachtsman of the Year in 2004 & 2015. He is now 'On the Water Director' at Chicago Yacht Club. Jon plans to sail early in 2022 with the Newport Fleet to wet his feet. A big 'thanks' to long time Shields racer Gary Ropski for working with Skip and to John Burnham for putting me in touch with Jon & Skip. [Right: #249 Robin](#)



Fleet Three is actively seeking club & national support to provide a Shields to be raced by members of our junior program and add some extra excitement to our three-series summer racing program. We hope that the addition of two new boats on the line will attract even more participants.

The CYC racing schedule will tentatively provide for 2-3 races most Saturdays which we divide into Spring, Summer and Fall series. We unfortunately failed to send a boat to Oxford in 2021, but hope to come back much more strongly in 2022.

### Fleet 7 - Naval Post Graduate School Foundation Yacht Club Submitted by: Ron Giachetti

Monterey's Navy fleet was pleased to join Shields sailors from around the class out at the beautiful Tred Avon Yacht Club in September. We appreciate the event organizers, host families, boat loaners and everyone else behind the scenes who contributed to the presentation of this great event.

[Left: Delaplaine Racing](#)

[Photo Credit: Richard Bodorff](#)

[Right: Tony Seda, Jared Valeske, Ron Giachetti & Mitch Kempistry w/Mitch's girlfriend and parents](#)





## Fleet 9 - Ida Lewis Yacht Club Submitted by: Bill Doyle

After pulling off a successful 2020 season despite the pandemic, momentum continued to build going into the 2021 season. The Shields Fleet is both the largest and most competitive one-design fleet in Newport. With renewed energy, we hosted our weekly Wednesday Night series, attracting 20-25 boats on a regular basis – up from an average of 15 just a few years ago. Winners varied throughout the season with 181 – Helen, led by Dirk Johnson Jr., Ed Adams and Dirk Johnson Sr., 254 – Aeolus led by Tom Hirsh & Tim Dawson, and 224 – Virginia led by Nick Ewenson taking the Spring, Summer & Fall series, respectively. Overall, the season was won by the most consistent boat, 156 – Bomba Charger with owner Mike Toppa usually at the helm. In addition, we added to our weekend racing which now includes the New York YC Annual Regatta, the Coasters Harbor YC George Winslow Regatta, as well as the Aloha series of four race dates throughout the summer designated as non-spinnaker to create opportunities for a larger circle of family and friends to race in a lower pressure environment. Winners in this series included 156 – Bomba Charger, 158 – Glory led by Ron Oard, Bill Doyle's 222—Loyalty, and Pete Siegl's 245-Hawk.



Above: Season Champ Bomba Charger

While other one-design classes in Newport may be dwindling, the classically designed Shields, along with a notable energy, Fleet 9 has been attracting more and more enthusiastic sailors from big boat programs down to dinghy sailors. New boats and owners added (or re-joining) Fleet 9 over the past two seasons include:

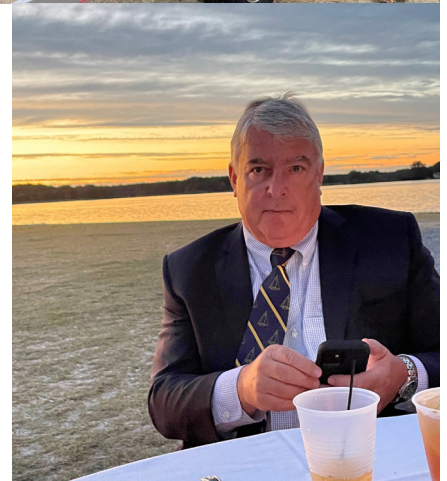
Wolf – 232, Jack LeFort; Centaur – 200, Donald Tofias; Alibi – 66, Chas MacBain  
Isla – 101, Stephen Eberle; Cornelia – 221, Stephen Glascock; Apollo – 11, Andy Green/Frederic de Mesel; Cuillin – 166, John Hough – 36, Stephen DeVoe III/Bob Beltrano; Tinky – 258, Clay & Nancy Deutsch; Meander 151, Scott Foberg; Swan – 17, Eric & Elizabeth Shealy; and Prudence – 204, Austin Cohen & Kelsey Patenaude. Below Left: Moored at TAYC Below Right: Splashing Grace

With such a large and growing fleet, we've made a concerted effort to be sure everyone feels included, by featuring a different boat in each of our twice weekly emails and providing recognition awards to those that stood out for things such as their Concours level restorations (This year's winner was Tinky 258), perfect weekend attendance (Hawk 245 & Meander 151), youngest crews (Richard Sugerman's Bandit 21 & Prudence 204) as well as longest-term members (2003-2010-2021 National Champion Diversion 160, Robin Monk and 1985 National Champion Lisa 59, Earl Stubbs Next year, we have even more activities planned leading up to the 2022 Shields Nationals!



## Fleet 10 - Beverly Yacht Club Submitted by: Luiza Smith

After last year's challenging circumstances, Fleet 10 was incredibly excited to get out on the water. Numerous boats splashed earlier than usual to get ready for June's Ocean Great Lakes Challenge. BYC and the Shields Fleet hosted 6 teams (as close as home and as far as California) for a great weekend full of racing and Marion hospitality - a special thank you to all teams who joined us for this great event and congratulations to Fleet 9's John Burnham and Reed Baer who took home the trophy! This season we've been focused on expanding our crew lists and getting different types of teams out on the water on Shields including future Shields sailors (kids ranging from 5-12) - Grinch (#248) holds the record with 5 kids and 2 adults, an all-women's crew on Aileen (#223), as well as a post-collegiate team sponsored by the Shields Class Foundation on Anduril (#6). Fleet 10 was proud to send three crews to Nationals in Oxford, all finishing in the top ten! [Upper: "METAL SHOP" Shields President Ken built his own trailer the week before Nationals](#)  
[Below: Mark Adams at Saturday Banquet and Awards Ceremony](#)



## Fleet 12 - Monterey Peninsula Yacht Club Submitted by: Eric Anderson

2022 was another great year for Shields racing in Monterey Bay. Fleet 12, joined by our Navy Fleet 7, consistently had 8-12 participating in our Wednesday Sunset Series and 6-8 for our Weekend Series. #103 Stillwater simply dominated all season, winning both primary series and several other annual regattas too. Ron Baxter in #135 Fireball, returned to competition this year and really pressed Stillwater as the season went on. We are grateful to our Fleet Captain, Jerry Stratton for his leadership and to the combined efforts of the Monterey Youth Sailing Foundation, The Shields Class Foundation and Stephen Symchych (#247 owner in Marion, MA) for their support in sending our youth crew to Nationals.

[Below Left: Crews of Delaplaine, October and Tiburon](#)  
[Below Right: 2021 Champion Stillwater](#)





## Fleet 19 - Mason Island's Yacht Club

Submitted by: Lee Reichart



Our local Shields season began in June with a degree of uncertainty as we continued to recover from the pandemic. That uncertainty was met by the enthusiasm and positive energy of Fleet 19 members who were determined to have fun racing their boats. At the start of the season all five boats in our fleet were in the water and ready to go. For the record, four had perfect attendance on the starting line for the entire summer. In our small fleet that level of participation is critical to keeping our racing competitive. The mostly excellent weather conditions and superb efforts by our race committee were the final ingredients that made the season an unmitigated success. Thank you, Race Committee PRO Kevin Miller and Pam Gibbs, for a job well done!

Here's a brief recap of the results:

July Series	1st- Al Burnett, #114 Sophie	2nd Ted Corning, #7 Rip
August Series	1st - Lee Reichart, #79 Rebel	2nd Al Burnett, #114 Sophie
Soderberg Cup-	Al Burnett, #114 Sophie	Commodore's Cup- Al Burnett, #114 Sophie

Plans are in the works for our upcoming 22nd season. Discussion includes enhancing our youth program by growing participation and continuing improvements to #89 Grand Biddles, our youth boat. Developing ways to increase Fleet 19 participation in national and regional regattas and, of course, fleet growth. [Upper Left: Chris Wick's Birthday Party](#)

## Fleet 21 - Tred Avon Yacht Club

Submitted by: Harry Seemans

The honor of hosting the 2021 Shields Nationals this past September put an exciting exclamation point on our fleet's most active season in a decade!

The year got off to an encouraging start when Rick and Carroll Vicens joined Tred Avon Yacht Club and purchased Shields #149 (Merlin), adding a seventh actively raced boat to the fleet.



After a slow start in the spring, participation in our various series and regattas really took off. We averaged a solid five boats on the line across ten days of fleet racing at TAYC - in addition to the three days at Nationals, in which all seven of our Shields sailed.

As the only Shields fleet on the Chesapeake, almost all our racing takes place at TAYC, but once each season a number of our boats tow up the Choptank River to race in Cambridge Yacht Club's annual Admiral Byrd Regatta. Cancelled in 2020 due to COVID, it was fun to resume "road tripping" to this event which began in the 1930's. [Above Right: Fleet 21 Shields on Tred Avon River](#)

As usual, our club championship was hotly contested and went right down to the final races of the Fall Series. Ed Cassidy and his team aboard #98 (Intrepid) edged out Jim Alpi's #180 (Seagull) who took 2nd place for the season, followed by Drew Kellogg's #35 (Dragonfly) which was helmed this season by Drew's longtime teammate Andrew Devlin.